

7. Parts catalog

How to use this parts catalog

The following legend is used in the parts catalog:

Asm-index	Part number	Units/mach	Units/FRU	Description
-----------	-------------	------------	-----------	-------------

- **Asm-index:** Identifies the assembly and the item in the diagram. For example, 3-1 indicates Assembly 3 and item number 1 in the table.
- **Part number:** Identifies the unique number that identifies this FRU.
- **Units/mach:** Refers to the number of units actually used in the base machine or product.
- **Units/option:** Refers to the number of units in a particular option. It does not include the rest of the base machine.
- **Units/FRU:** Refers to the number of units packaged together and identified by the part number.
- **NS:** (Not shown) in the Asm-Index column indicates that the part is procurable but is not pictured in the illustration.
- Model information used in the parts catalog:

Abbreviation used	Machine type and model	Printer name	Description
210	5026-210	Lexmark C734n	Network
230	5026-230	Lexmark C734dn	Duplex and network
280	5026-280	Lexmark C734dnw	Duplex, network, and wireless
410	5026-410	Lexmark C736n	Network
430	5026-430	Lexmark C736dn	Duplex and network
439	5026-439	Lexmark CS736dn	Duplex and network

Previous

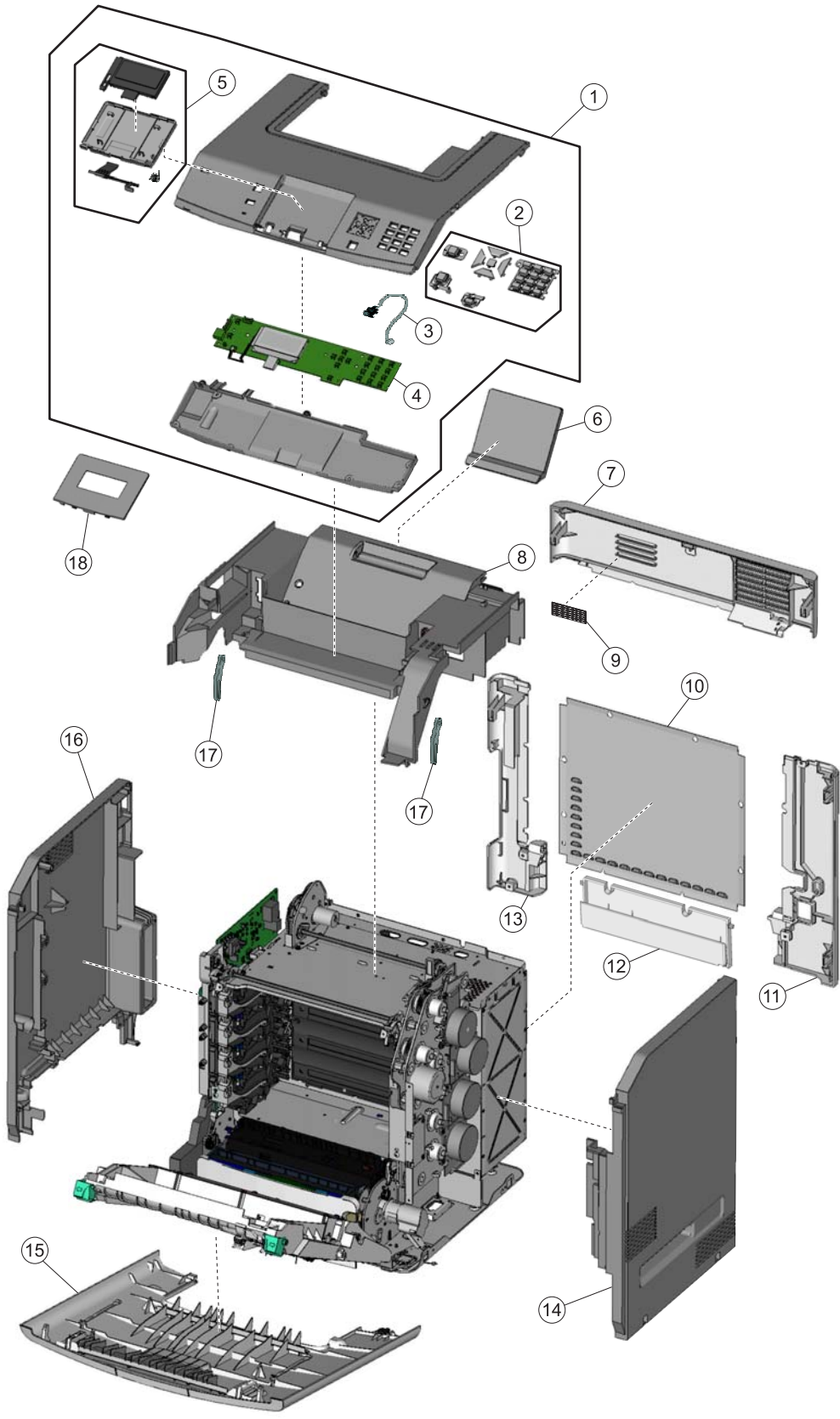


Next



Go Back

Assembly 1: Covers



Previous



Next



Go Back

Assembly 1: Covers

Index	P/N	Units/ mach	Units/ FRU	Description
1—1	40X5114	1	1	Top access cover assembly
2	40X5120	1	1	Operator panel buttons parts package, including: <ul style="list-style-type: none"> • Back button • Menu button • Stop button • Navigation select button • Navigation up button • Navigation down button • Navigation left button • Navigation right button • Number pad buttons
3	40X5121	1	1	Bin full sensor with cable
4	40X5117	1	1	Operator panel assembly, with card
5	40X5118	1	1	Top access cover parts package, including <ul style="list-style-type: none"> • Display detent spring • Bin full flag • Operator panel lens • Display back bezel
6	40X5106	1	1	Output bin extension cover
7	40X5103	1	1	Rear upper cover
8	40X5099	1	1	Top cover assembly
9	40X5287	1	1	Cooling fan filter
10	40X5145	1	1	Rear frame cover
11	40X5105	1	1	Rear right cover
12	40X5153	1	1	Dust cover assembly
13	40X5104	1	1	Rear left cover
14	40X5101	1	1	Right cover
15	40X5110	1	1	Front access door cover assembly
16	40X5102	1	1	Left cover
17	40X5119	1	1	Top access cover links (slider cam) (Note: The left link is also available in the top access cover assembly—40X5114, and the right link is also available in the EP drive assembly—40X5290)
18	40X5115	1	1	Operator panel bezel, 230, 280
18	40X5116	1	1	Operator panel bezel, 430
18	40X5286	1	1	Operator panel bezel, 439
18	40X5150	1	1	Operator panel bezel, 410
18	40X5151	1	1	Operator panel bezel, 210

Previous

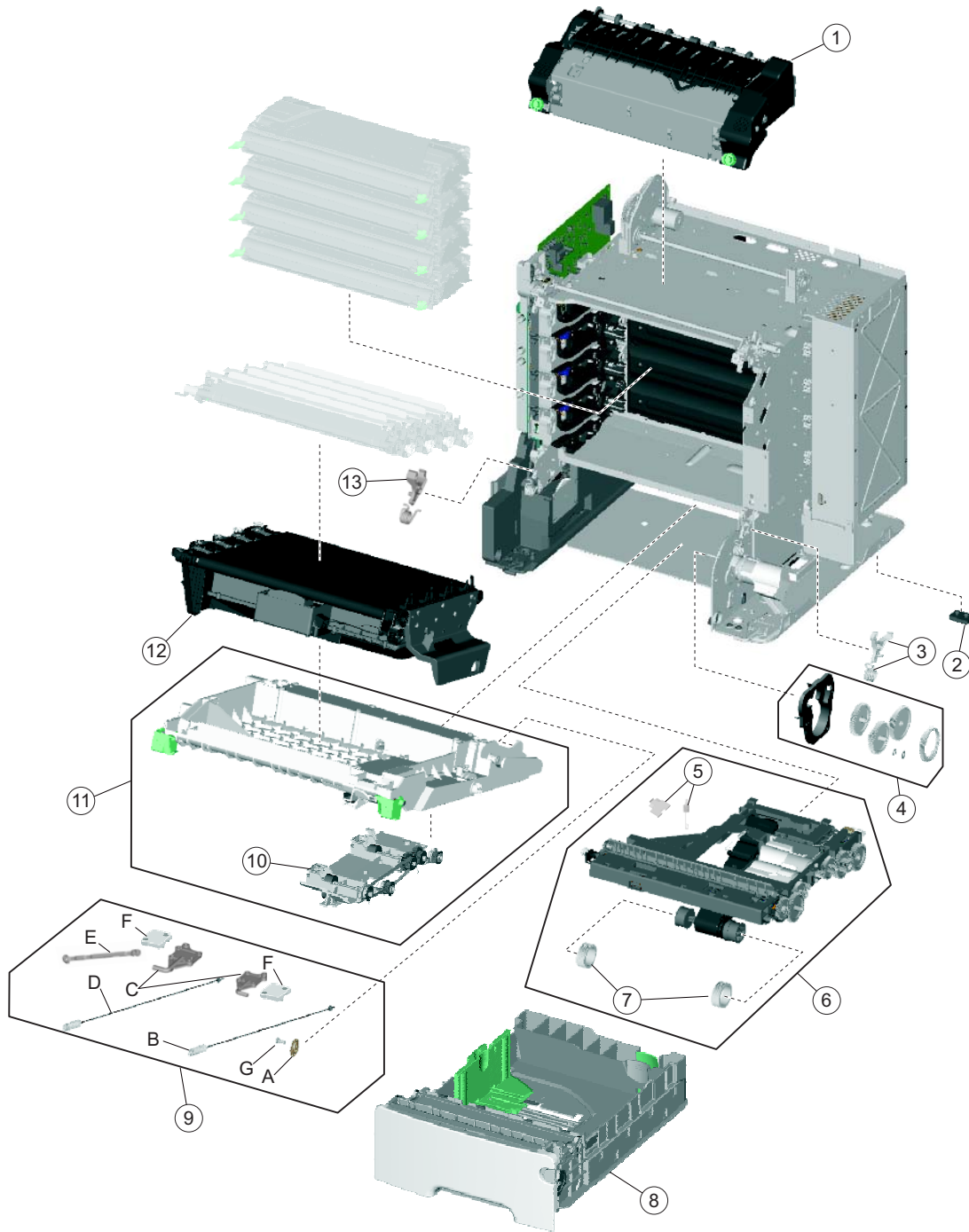


Next



Go Back

Assembly 2: Front



Previous



Next



Go Back

Assembly 2: Front

Index	P/N	Units/ mach	Units/ FRU	Description
2—1	40X5093	1	1	Fuser assembly, 115 V
1	40X5094	1	1	Fuser assembly, 230 V
1	40X5095	1	1	Fuser assembly, 100 V
2				Printer pad, included in parts packet, screws (P/N 40X5136)
3	40X1446	1	1	Right bellcrank assembly, with spring
4	40X5132	1	1	MP feeder/duplex drive parts packet, including <ul style="list-style-type: none"> • Retainer release arm • Grease packet (Nyogel 744) • Washer • Duplex engagement gear • MP feeder reduction gear • MP feeder/duplex reduction gear • MP feeder drive cover
5	40X6319	1	1	Cranklift spring and metal clip
6	40X5223	1	1	Paper pick assembly
7	40X5152	2	2	Pick arm roll
8	40X5273	1	1	Paper tray assembly, 550-sheet
9	40X5111	1	1	Front door parts packet, including <ul style="list-style-type: none"> • A—Front access door cap (1) • B—Right cable assembly (1) • C—Front access cover pivot (1) • D—Left cable assembly (1) • E—Front access door straps (2) • F—Front access door bracket (1) • G—Screw
10	40X5113	1	1	Duplex reference edge assembly
11	40X5112	1	1	Front door assembly
12	40X6401	1	1	Transfer module
13	40X1447	1	1	Left bellcrank assembly, with spring
NS	40X8554	1	1	Cartridge guide wheels

Previous

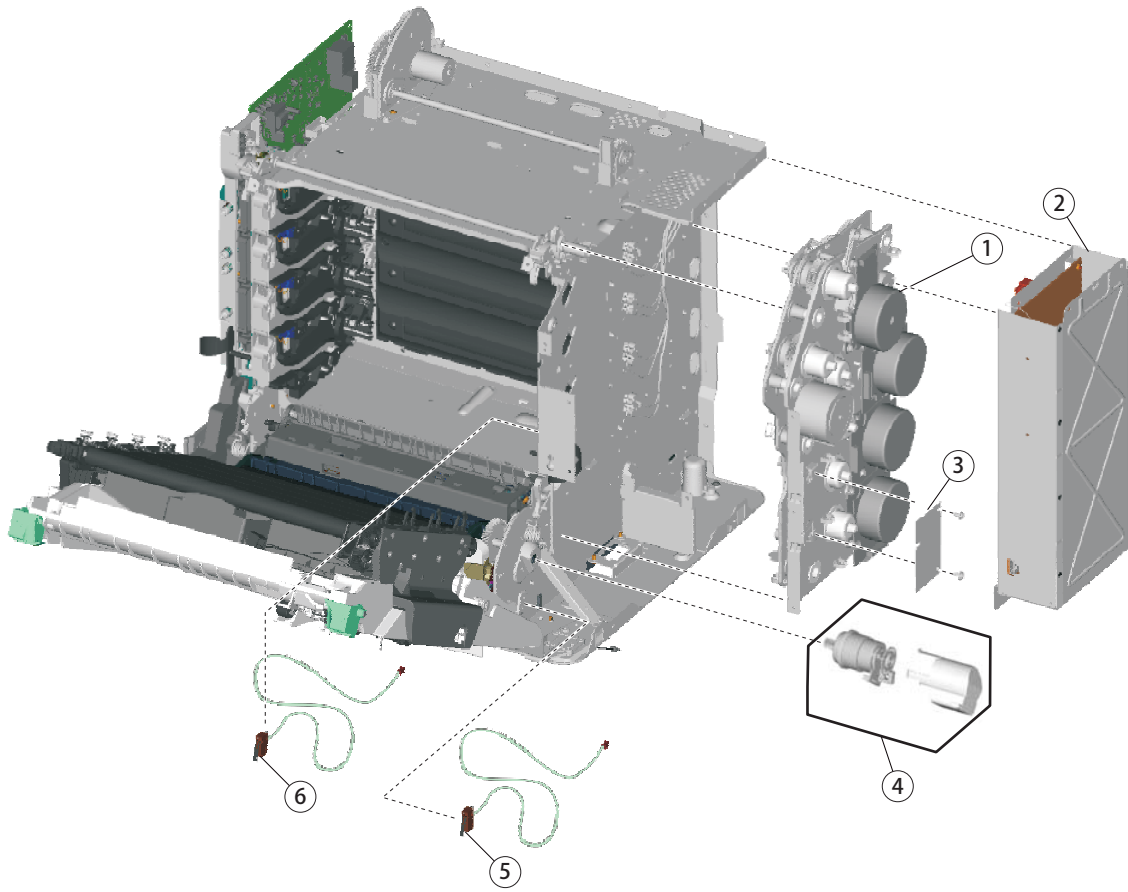


Next



Go Back

Assembly 3: Right



Previous



Next



Go Back

Assembly 3: Right

Index	P/N	Units/ mach	Units/ FRU	Description
3—1	40X5290	1	1	EP drive assembly
2	40X5124	1	1	Low-voltage power supply
3	40X5126	1	1	Motor driver card
4	40X5131	1	1	MP feeder/duplex motor
5	40X5128	1	1	24 V interlock switch
6	40X5127	1	1	5 V interlock switch

Previous

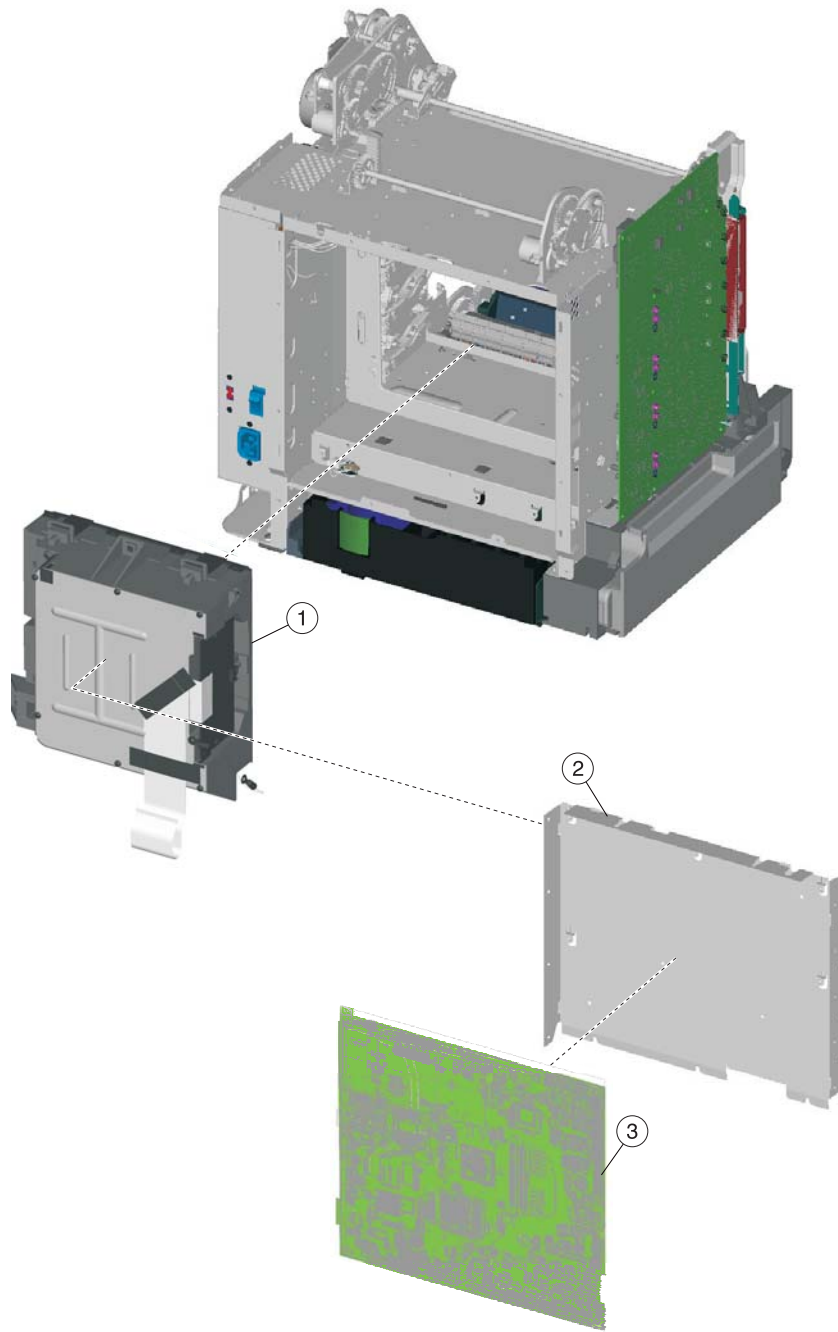


Next



Go Back

Assembly 4: Rear



Previous



Next



Go Back

Assembly 4: Rear

Index	P/N	Units/ mach	Units/ FRU	Description
4—1	40X5123	1	1	Printhead assembly
2	40X5107	1	1	System board support shield
3	40X5160	1	1	System board (network), 210, 230, 280
3	40X5154	1	1	System board (network), 410, 430, 439
3	40X7850	1	1	Unique system board to be used <i>only</i> for the following TLIs: 25C0018 and 25C0021 Note: These unique FRU parts are only necessary for these specific TLI releases. They will <i>not</i> work in any other C734 TLIs.
3	40X7851	1	1	Unique system board to be used <i>only</i> for the following TLIs: 25A0079, 25A0134, 25A0138, 25A0160, 25A0176, 25A0177, 25A0197, 25A0199, 25A0224, 25A0239, 25A0240, 25A0241, 25A0242, 25A0243, 25A0244, 25A0245, 25A0247, 25A0248, 25A0249, 25A0255, 25A0258, 25A0259, 25A0260, and 25A0261 Note: These unique FRU parts are only necessary for these specific TLI releases. They will <i>not</i> work in any other C736 TLIs.
NS	40X0269	1	1	Power cord—USA, Canada, Bolivia, Peru
NS	40X0288	1	1	Power cord (8 ft.)—Argentina
NS	40X0301	1	1	Power cord (8 ft.)—Australia, New Zealand
NS	40X3141	1	1	Power cord (8 ft.)—Austria, Belgium, Catalan, Czechoslovakia, Finland, France, Germany, Greece, Hungary, Ireland, Italy, Netherlands, Norway, Paraguay, Poland, Portugal, Russia, Spain, Sweden, Turkey, United Kingdom
NS	40X0271	1	1	Power cord (8 ft.)—Hong Kong, Ireland, United Kingdom
NS	40X4596	1	1	Power cord (8 ft.)—Brazil
NS	40X0273	1	1	Power cord (8 ft.)—Chile, Uruguay
NS	40X0303	1	1	Power cord (8 ft.)—China
NS	40X1774	1	1	Power cord (8 ft.)—Denmark, Finland, Norway, Sweden
NS	40X0275	1	1	Power cord (8 ft.)—Israel
NS	40X3609	1	1	Power cord (8 ft.)—Japan
NS	40X1792	1	1	Power cord (8 ft.)—Korea
NS	40X1773	1	1	Power cord (8 ft.)—South Africa
NS	40X1772	1	1	Power cord (8 ft.)—Switzerland
NS	40X1791	1	1	Power cord (8 ft.)—Taiwan

Previous



Next



Go Back

Assembly 5: Left

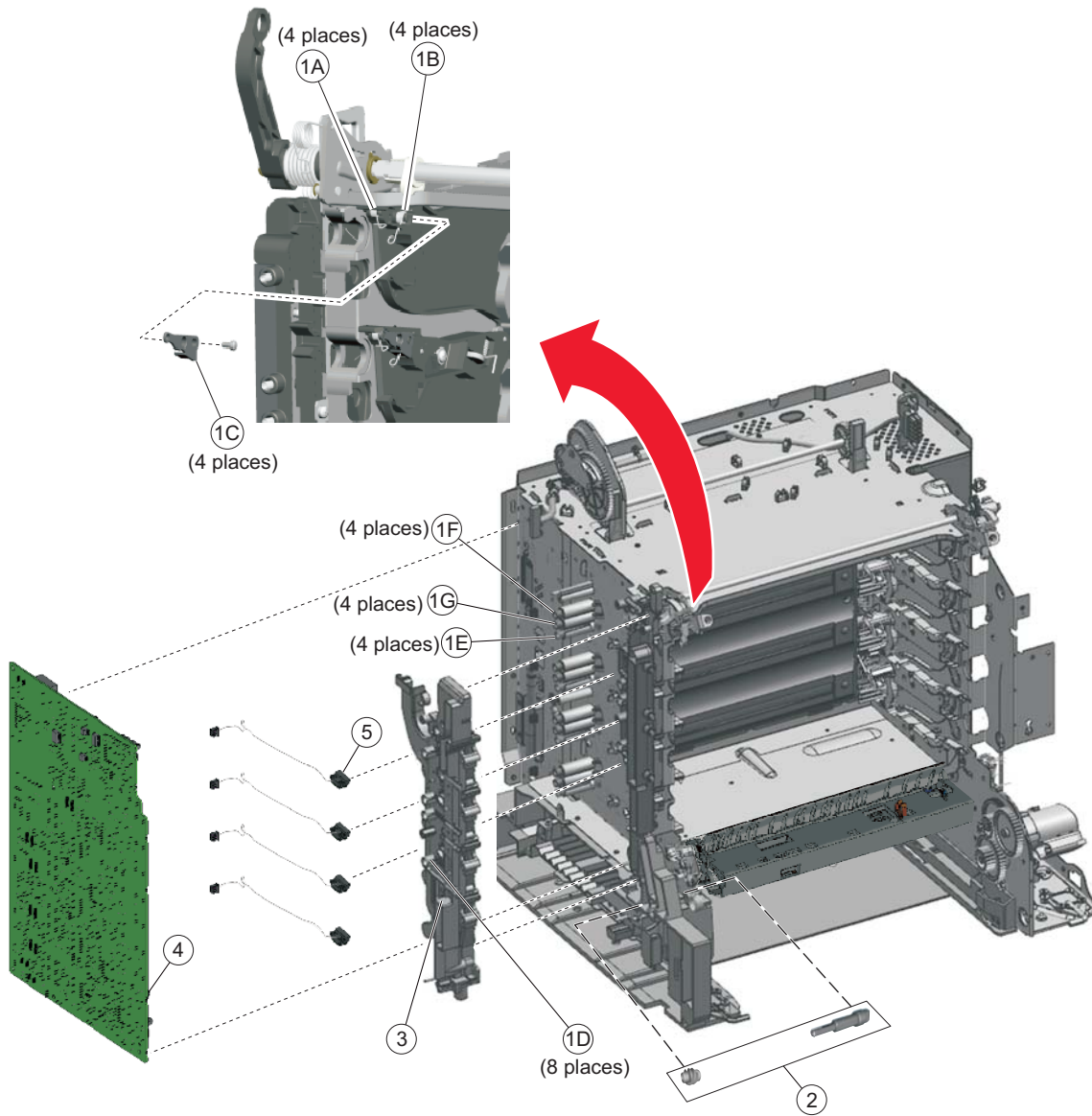
Previous



Next



Go Back



Assembly 5: Left

Index	P/N	Units/ mach	Units/ FRU	Description
5—1	40X5137	1	1	Contact springs kit, including: <ul style="list-style-type: none"> • A—Torsion PCD contact spring • B—Torsion CR contact spring • C—Contact spring cap • D—Charge roll contact spring • E—HVPS TAR contact spring • F—HVPS doctor/developer contact spring • G—HVPS Db contact spring • Screw
2	40X7159	1	1	Auger shaft and gear parts pack
3	40X5307	1	1	Waste toner HV contact assembly
4	40X5129	1	1	High-voltage power supply
5	40X1416	4	1	Toner level sensor

Previous

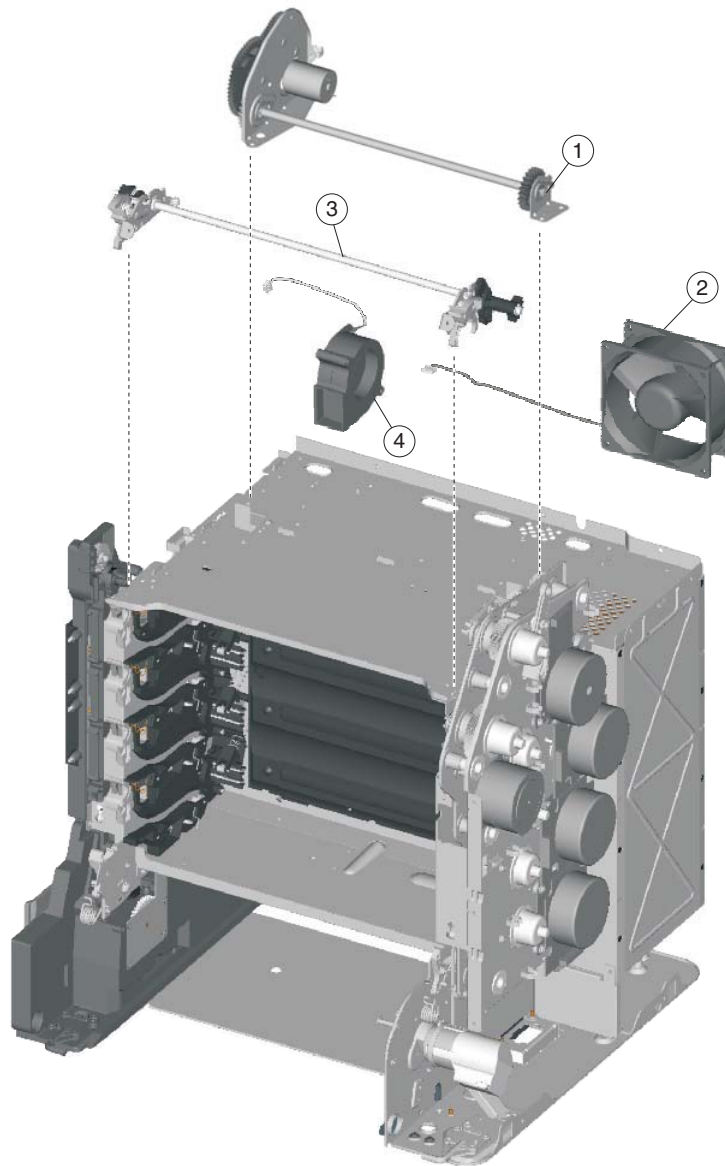


Next



Go Back

Assembly 6: Top



Previous



Next



Go Back

Index	P/N	Units/ mach	Units/ FRU	Description
6—1	40X5122	1	1	Color-On-Demand assembly
2	40X5109	1	1	Cooling fan
3	40X5130	1	1	Top cover camshaft assembly
4	40X5108	1	1	Cartridge cooling fan

Assembly 7: Cable parts packet

Index	P/N	Units/ mach	Units/ FRU	Description
7—1	40X5135	1	1	Cables parts packet, including <ul style="list-style-type: none"> • A—Cartridge motor 1 to fuser cable (1) • B—Fuser AC cable (1) • C—Fuser DC cable (1) • D—MP feeder/duplex motor cable (1) • E—Transport motor cable (1) • F—High-voltage power supply cable • G—Cartridge motor 2 /3 cable • H—Motor driver cable • I—USB-A cable • J—Operator panel cable • K—Operator panel ground cable • L—Transport cable • M—Option cable
2	40X6351	1	1	Motor drive cable

Previous

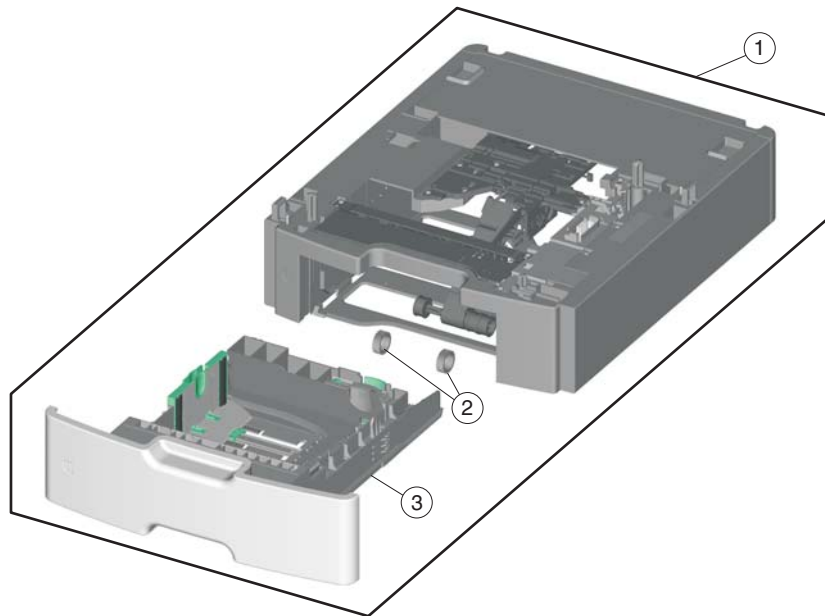


Next



Go Back

Assembly 8: Optional 550-sheet media drawer and tray



Previous



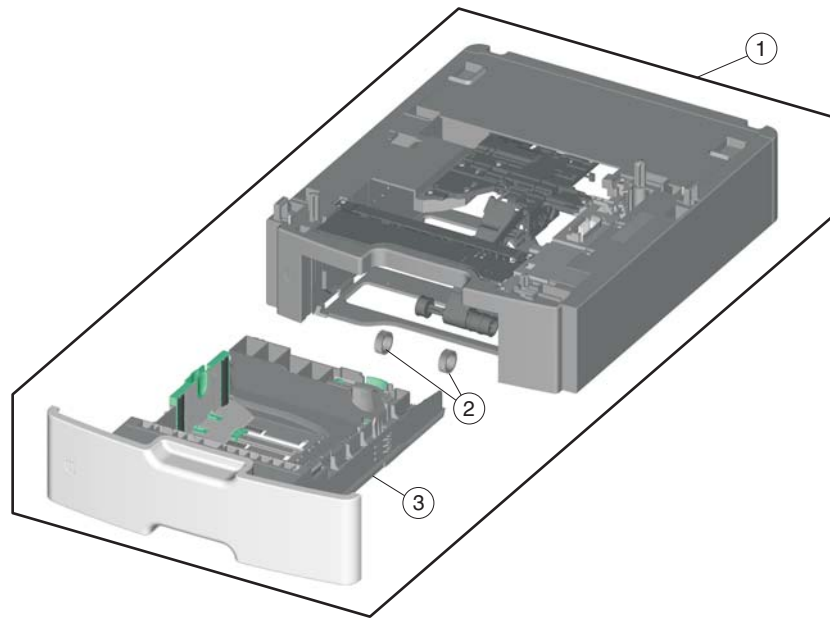
Next



Go Back

Index	P/N	Units/ opt	Units/ FRU	Description
8—1	40X5140	1	1	550-sheet tray option (drawer and tray assembly)
2	40X5168	2	2	Pick arm roll, 550-sheet tray
3	40X5141	1	1	550-sheet tray assembly

Assembly 9: Optional special media tray assembly



Previous



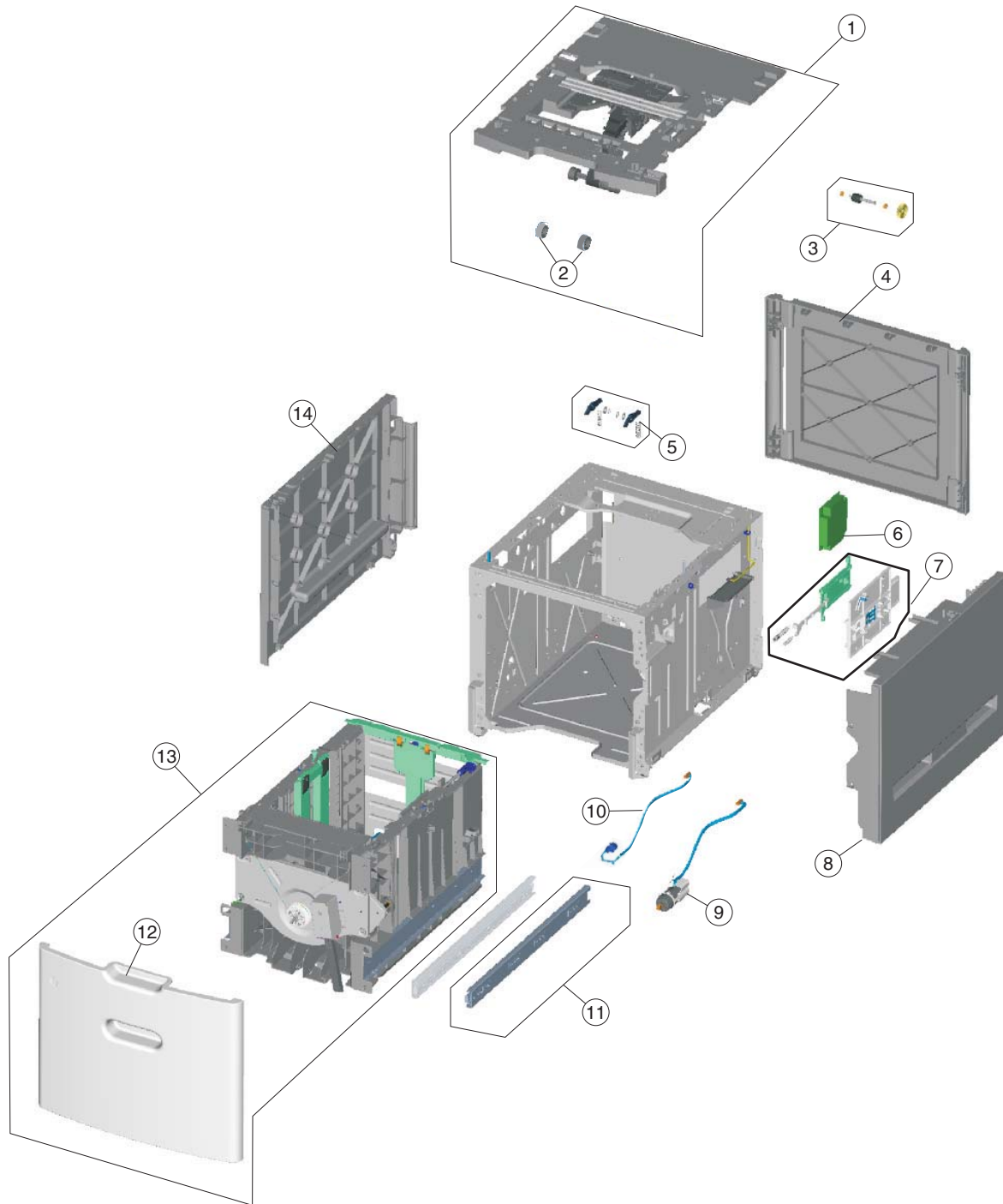
Next



Go Back

Index	P/N	Units/ opt.	Units/ FRU	Description
9—1	40X5142	1	1	Special media assembly, including tray
2	40X5152	2	2	Pick arm roll, 550-sheet drawer
3	40X5143	1	1	Special media tray assembly

Assembly 10: Optional high-capacity input option (HCIT)



Previous



Next



Go Back

Assembly 10: Optional high-capacity input option (HCIT)

Index	P/N	Units/ option	Units/ FRU	Description
10—1	40X5157	1	1	Top plate assembly
2	40X5168	2	2	HCIT pick arm roll
3	40X5156	1	1	Feed with bushing
4	40X5149	1	1	HCIT rear cover
5	40X4585	2	1	Tray latch with spring
6	40X5159	1	1	HCIT controller card assembly
7	40X4587	1	1	Slide assembly with springs
8	40X5147	1	1	HCIT right cover
9	40X5155	1	1	Elevator motor with sensor
10	40X5158	1	1	Photointerrupter sensor with cable assembly
11	40X4593	2	1	HCIT drawer slide assembly
12	40X5146	1	1	HCIT front tray cover
13	40X5144	1	1	HCIT paper drawer tray assembly
14	40X5148	1	1	HCIT left cover

Previous

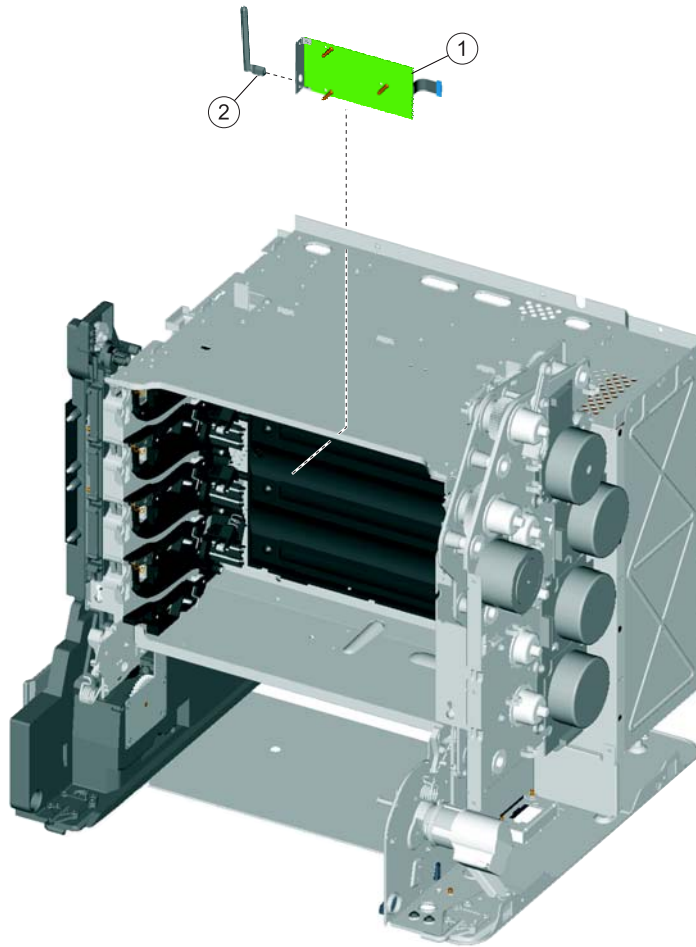


Next



Go Back

Assembly 11: Options and features



Previous



Next



Go Back

Assembly 11: Options and features

Index	P/N	Units/ mach	Units/ FRU	Description
11—1	40X5038	1	1	Wireless network card (802.11g), US/Americas
1	40X5039	1	1	Wireless network card (802.11g), rest of world
2	40X5319	1	1	Wireless antenna (802.11)
NS	40X5317	1	1	Parts packet, ISP thumbscrew and standoff
NS	40X5315	1	1	Wireless ISP thumbscrew
NS	40X5318	1	1	ISP thumbscrew
NS	40X5136	1	1	Parts packet, screw (contains each screw used in the printer, with the exception of the parts specifically called out.) See “Screw and retainer identification table” on page 4-3.
NS	40X5301	1	1	256 MB SDRAM
NS	40X5302	1	1	512 MB SDRAM
NS	40X5303	1	1	1024 MB SDRAM
NS	40X5704	1	1	256 MB flash card
NS	40X5969	1	1	Korean font card
NS	40X5971	1	1	Traditional Chinese font card
NS	40X5970	1	1	Simplified Chinese font card
NS	40X5972	1	1	Japanese font card
NS	40X0038	1	1	Bar code and Forms card
NS	40X5952	1	1	Lexmark PrintCryption™ card
NS	40X4826	1	1	MarkNet™ N8120 10/1000
NS	40X4827	1	1	MarkNet N8130 10/100 fiber
NS	40X4823	1	1	Parallel 1284-B interface card adapter
NS	40X4819	1	1	Serial interface card adapter
NS	40X4822	1	1	80.0 GB hard disk assembly
NS	40X5283	1	1	Printer relocation kit
NS	7377200	1	1	Option drawer relocation kit
NS	40X5281	1	1	High-capacity input tray (HCIT) relocation kit
NS	40X5316	1	1	14-pin JST cable assembly for ISP interface cable
NS	40X0063	1	1	Card for IPDS and SCS/TNe

Previous



Next



Go Back